



HIGH SPEED SELF REPAIRING ROLL-UP DOOR
COMPONENTS: CATALOGUE AND OVERVIEW



ADV TYPE



A.POL.12 Hard plastic polyzene top cap	A.POL.11 Hard plastic polyzene curtain re-entry	P.POL01 Extruded polyzene: straight entrance	P-POLO7 Polyzene support. New version with spring fixing system (nut not included)	P.G-POL Windproof polyzene gasket	A.SPR Tensioning spring kit Half thread bolt + spring + nut	P.M15 1.5 Kg/ml Universal doors outer aluminum profile	P.M16 1.2 Kg/ml Internal ADV rollup door profile	P.T-CAV.T/B Transparent/black covering profile for cables cavity

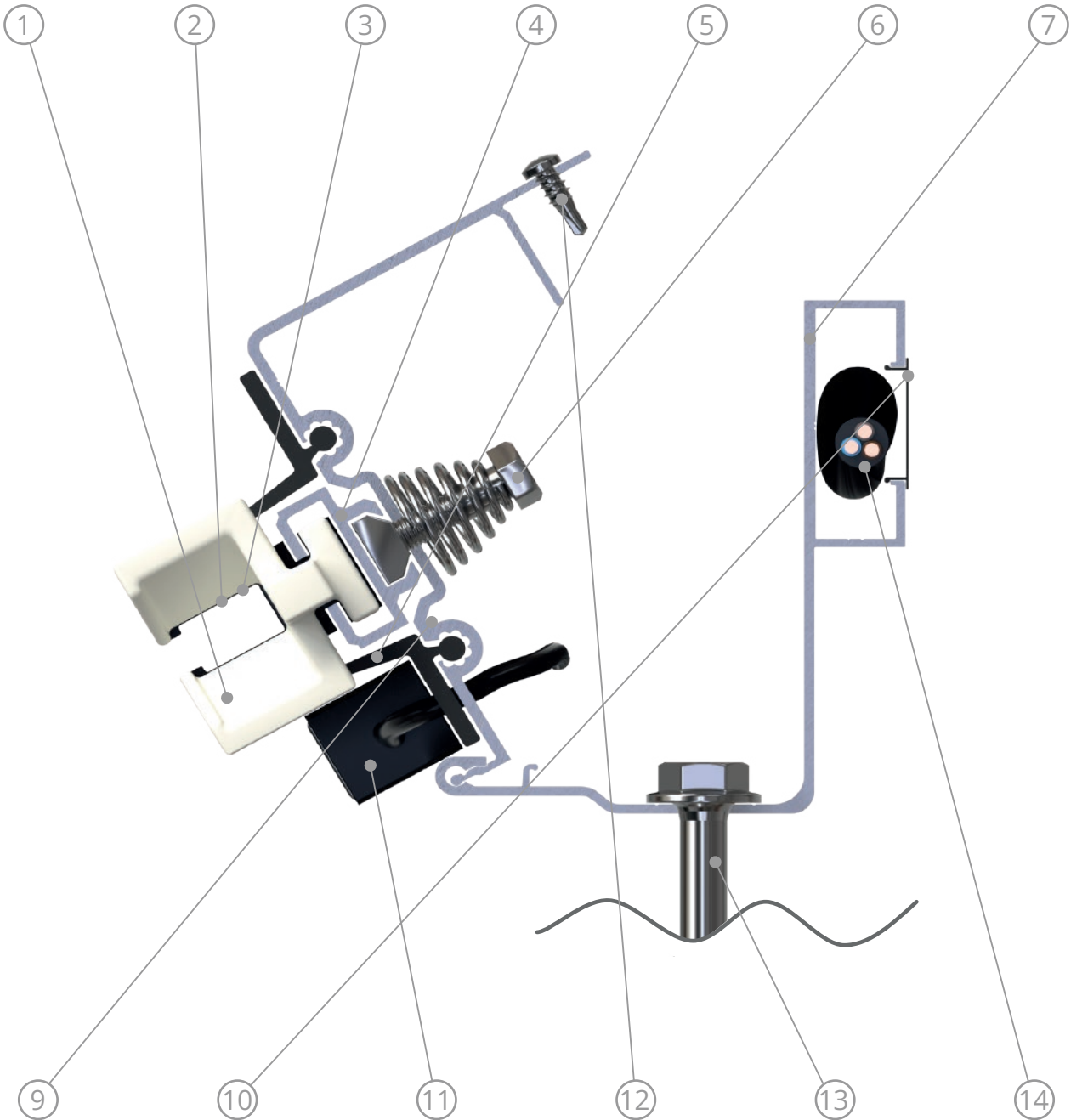




SIDE RAILS ASSEMBLED



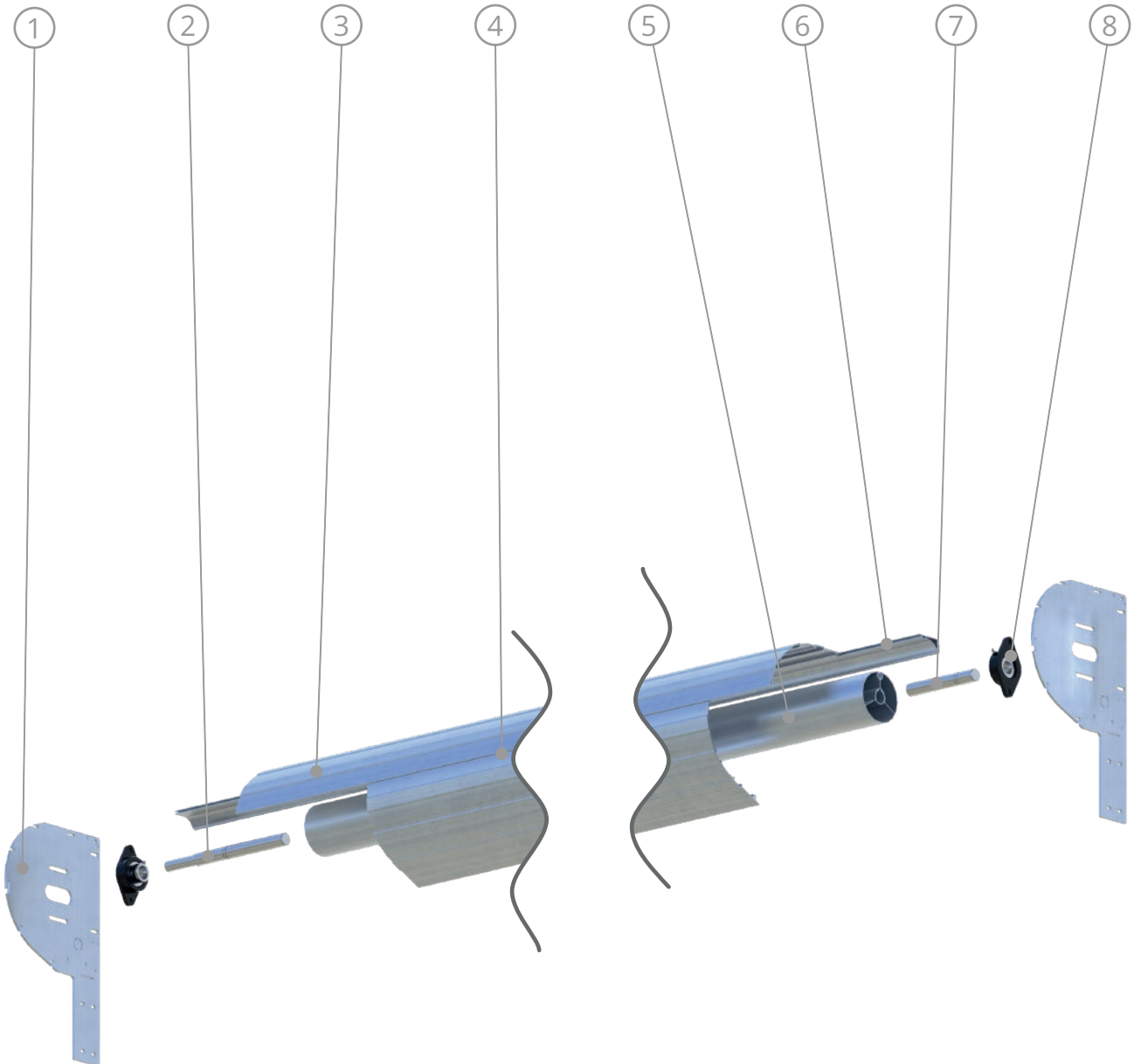
Hard plastic polyzene top cap	Hard plastic polyzene curtain re-entry	Extruded Polyzene: straight	Polyzene support new version with spring fixing system (nut not included)	Windproof polizene gasket	Tensioning spring kit -Half thread bolt -Spring -Nut	ADV Side rail Outside profile
-------------------------------	--	-----------------------------	---	---------------------------	---	----------------------------------



ADV Side rail Inside profile	Transparent/black covering profile for cable cavity	Covered outdoor photo-barriers	Side rail locking screw	Wall mounting concrete screw	Three-phase motor power cable
---------------------------------	---	--------------------------------	-------------------------	------------------------------	-------------------------------



A.B01 Compatible with: SP01 support + TMG02 or no motor	P30/25L405 Shaft pivot – motor side 2x Feather keys included	P.CR01 - 2,9 Kg/ml Std shaft cover	A.CR01-CON CR01 Shaft cover junction	P.ALB02 -3,8 Kg/ml Shaft	P.SP01 - 1,1 Kg/ml Shaft support v1.0	P30L200 Shaft pivot – side without motor 2x Featherkeys included	A.CF Flanged bearing

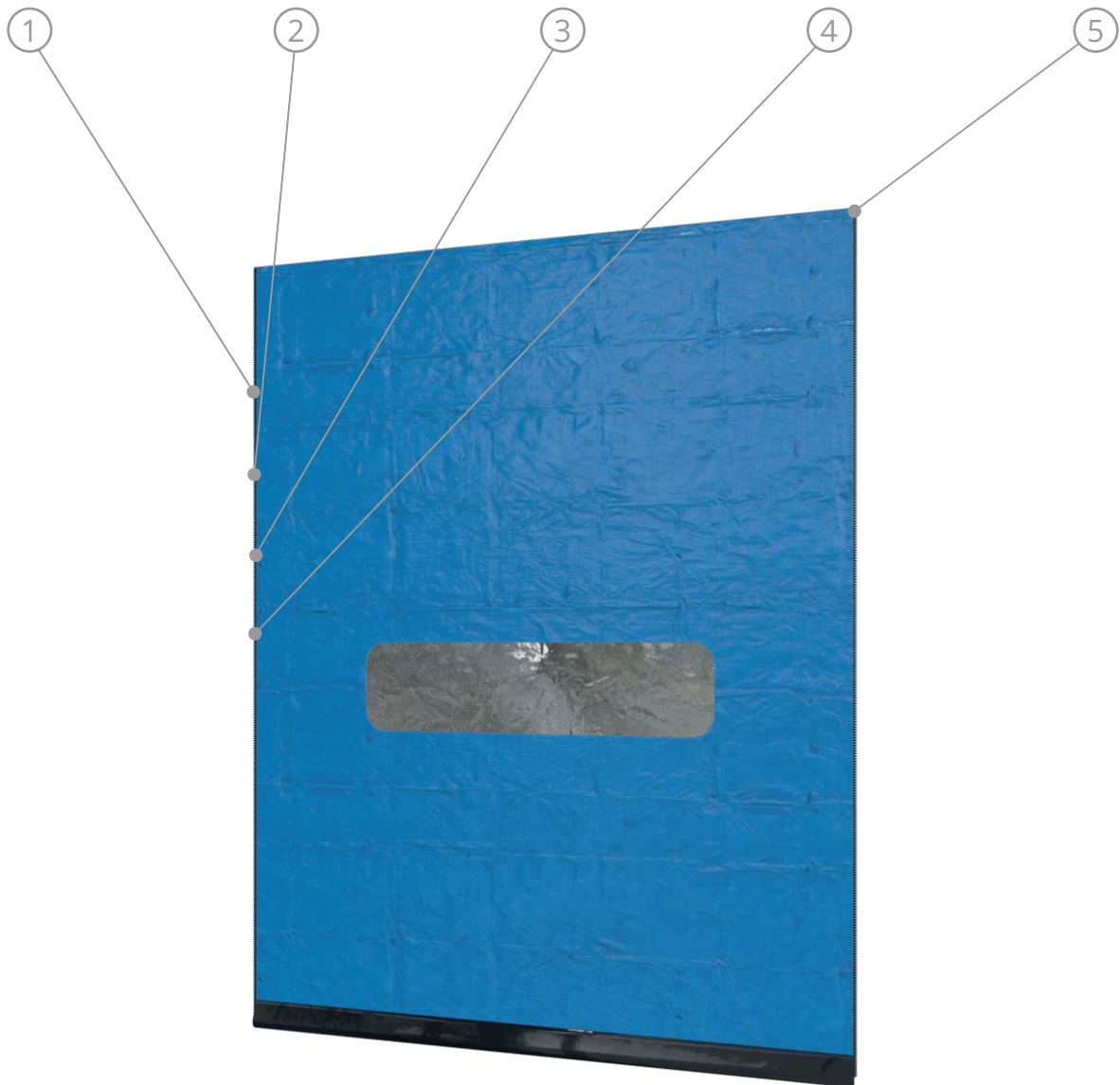




CURTAIN PARTS



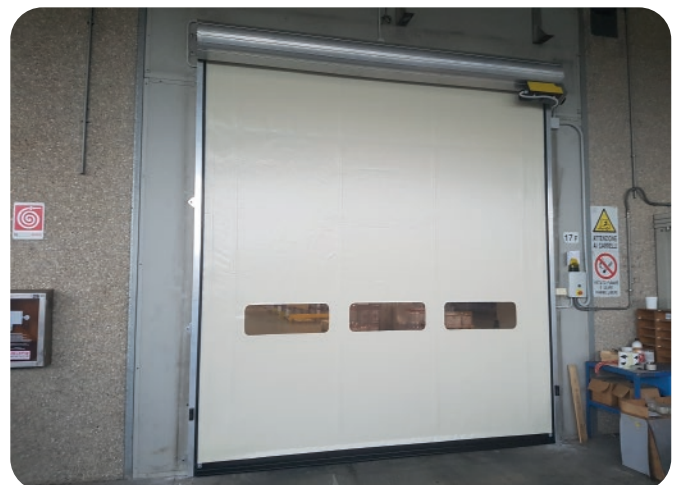
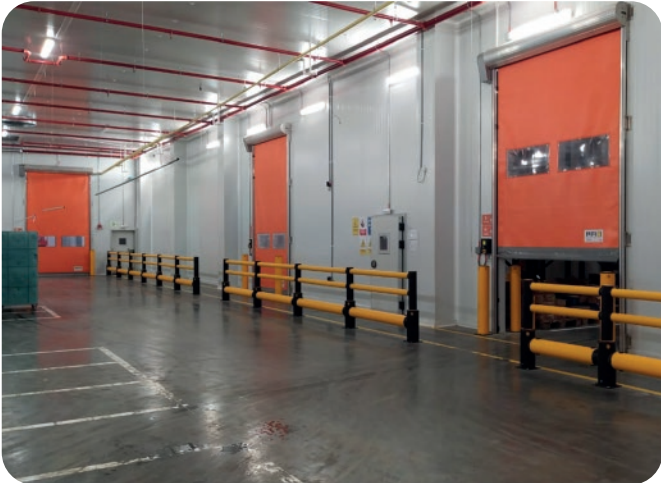
A.PVC.ZIP1 Zip with BEVELED ENTRANCE Compatible with P.POL01-02	A.PVC.KIT1 Side kit: zip + balancer + curtain	A.PVC.KIT2 Central kit: curtain + balancer + curtain	A.PVC.COMP Curtain balancer	A.T-REP Kit for Zip reinforcement for self-repairability





<p>HSD.AUT.ELS4.5 Automation kit with 1700W max.</p>	<p>E.BFC2500 Covered outdoor photo-barriers</p>	<p>E.L02 Outdoor flashing lights</p>	<p>E.PULS.2P Double Button Switch</p>







HQ: via Roma, scn 63812 – Montegranaro (FM) – ITALY

TEL/FAX: +39 (0) 734873010

VAT ID: 01751680446

www.tmpedanesrl.com

info@tmpedanesrl.com